

ZETA 1

Z1.



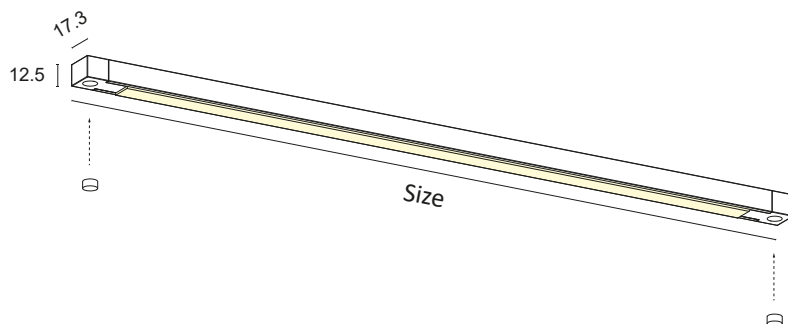
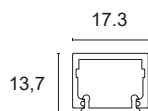
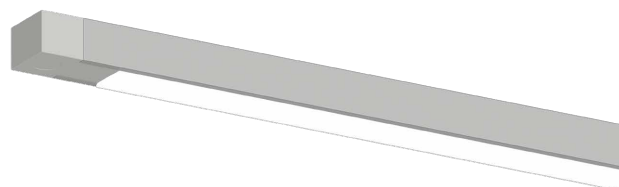
Decorated anodised aluminium lamp complete with press-fit brushed or transparent diffuser, side supports and LED source with a high Lumen/Watt ratio. Wide availability of accessories that can be integrated into the profile. Suitable for accent and service lighting, suitable for furniture, residential, retail and general lighting. Mounting with recessed screws.

Constant 24Vdc voltage supply
Parallel connection, 50 cm cable

Constant voltage power supplies page 237

Dimming Accessories page 249

 **MADE IN ITALY**



BASIC CODES

Z1.

FINISHES

- 1** White
 - 2** Matt black
 - 7** Brushed aluminium
- *Other finishes on request.

SIDE SUPPORTS

- 1** White
- 2** Matt black
- 5** Grey
- 7** Brushed aluminium

SIDE SUPPORTS + TOUCH

- 1T** White
- 2T** Matt black
- 5T** Grey
- 7T** Brushed aluminium

SIDE SUPPORTS + SENSOR

- 1S** White
- 2S** Matt black
- 5S** Grey
- 7S** Brushed aluminium

SIDE SUPPORTS + ON/OFF

- 1I** White
- 2I** Matt black
- 5I** Grey
- 7I** Brushed aluminium

SIZE

- A** 300mm
- B** 450mm
- C** 500mm
- D** 600mm
- E** 700mm
- F** 800mm
- G** 900mm
- H** 1000mm
- I** 1200mm
- J** 1300mm
- K** 1400mm
- L** 1500mm
- M** 1800mm
- N** 2000mm
- O** 2300mm
- P** 2500mm
- Q** 2800mm
- R** 3000mm

LED COLOUR

- BN** 4000K
 - BC** 3000K
 - CC** 2700K
- *Strip also available coloured, Dynamic White, RGB and RGBW.

POWER

D	10W/m	1400Lm/m	98LED/m	S2835	CRI>85	
D+	10W/m	1600Lm/m	112LED/m	S2835	CRI>90	
E	16.8W/m	2000Lm/m	140LED/m	S2835	CRI>85	
E+	16.8W/m	2000Lm/m	140LED/m	S2835	CRI>90	
F	20.2W/m	2500Lm/m	168LED/m	S2835	CRI>85	
F+	20.2W/m	2500Lm/m	168LED/m	S2835	CRI>90	
G	25W/m	3500Lm/m	160LED/m	S2835	CRI>80	
L+	28W/m	3500Lm/m	160LED/m	S2835	CRI>90	
G2+	15W/m	1550Lm/m	COB LED		CRI>90	

*Energy class referring to light source

DIFFUSER

- S** BRUSHED
- T** TRANSPARENT

Code example:

ZETA 1 + White + Side supports white + 1000mm + 3000K + 10W/m CRI>85 + Brushed diffuser = Code: Z1.11HBCDS